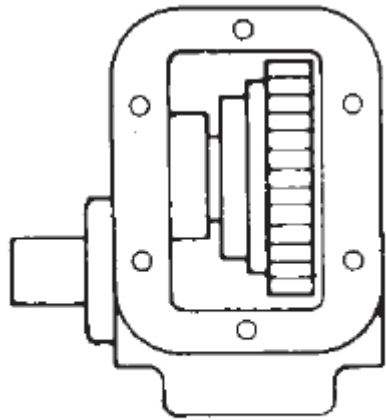
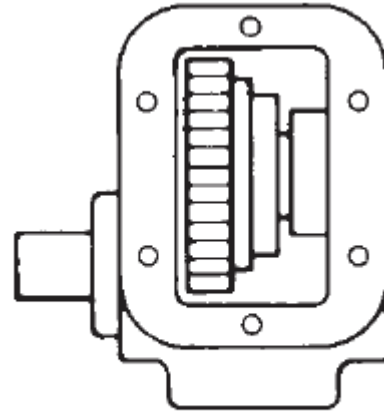


## DT-12-OC (OHE & OV) series adapter assembly

1) Adapter gear should be designed so that the current SAE or DIN 8-bolt PTO's can be used on the DT12 without any changes apart from changing arrangement from 3 to 4



Current 8-Bolt PTO  
arrangement for RTLO

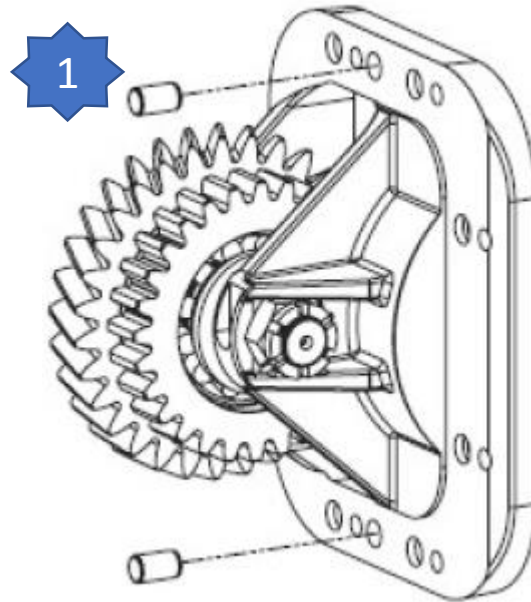


8-Bolt PTO arrangement required to  
match DT-12 adapter

NOTE: This is possible without any new  
parts or changes as the PTO is designed  
symmetrical

## DT-12-OC (OHE & OV) series adapter assembly

2) Locate the 2 alignment pins/dowels in the installation kit, and install the pins at the 6 and 12 o'clock positions in the adapter



## DT-12-OC (OHE & OV) series adapter assembly

- 3)
- Install the adapter on the transmission using the thicker gasket (0.020") included with the installation kit, and torque the qty=8 M12x30 cap screws to 50 lb-ft (68 N-m).

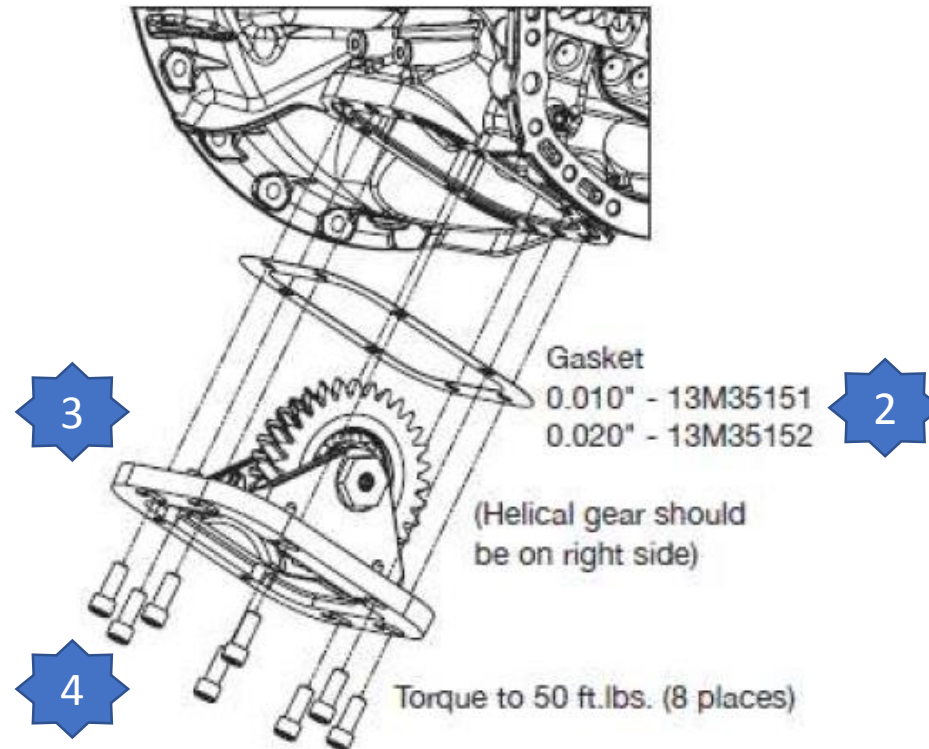


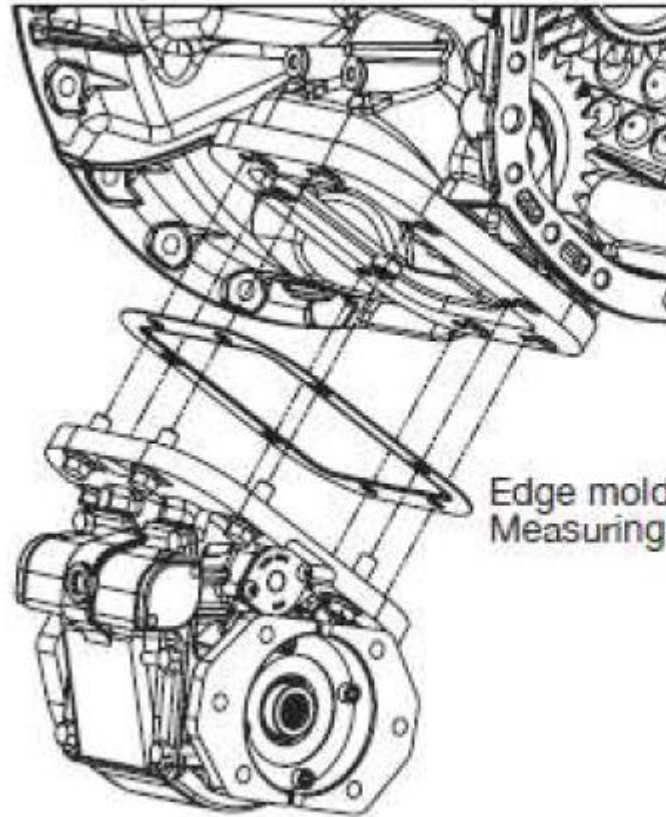
Figure 34: Installation of the Muncie Bottom PTO Adapter to the transmission

- Measure the backlash between the adapter and transmission gears. Correct backlash should be 0.006"-0.012" (0.15mm – 0.30mm). Adjust as necessary using a second gasket. A thinner gasket, one that measures 0.010" (0.25mm) thick, is available and is shown in Figure 35 above. Additional gaskets are available through your Muncie Power parts provider.

## DT-12-OC (OHE & OV) series adapter assembly

4) Use the edge molded gasket between the adapter and the PTO. Backlash measurement is not required between the PTO and adapter. Torque the cap screws or nuts to 50 lb-ft (68 N-m)

NOTE: Stud/bolt holes on the adapter should be designed so that the current standard 8-bolt stud/bolt kit could be used.



Edge molded gasket - P/N 13T65089  
Measuring backlash not required

5

## DT-12-OC (OHE & OV) series adapter assembly

5) Parts indicated with blue start numbers 1,2,3 and will be shipped to Kozmaksan for reference.

1

2pcs dowel pins

2

2pcs paper gasket

3

1pc adapter gear

4

8pcs M12x30 cap screws

5

1pc edge molded gasket