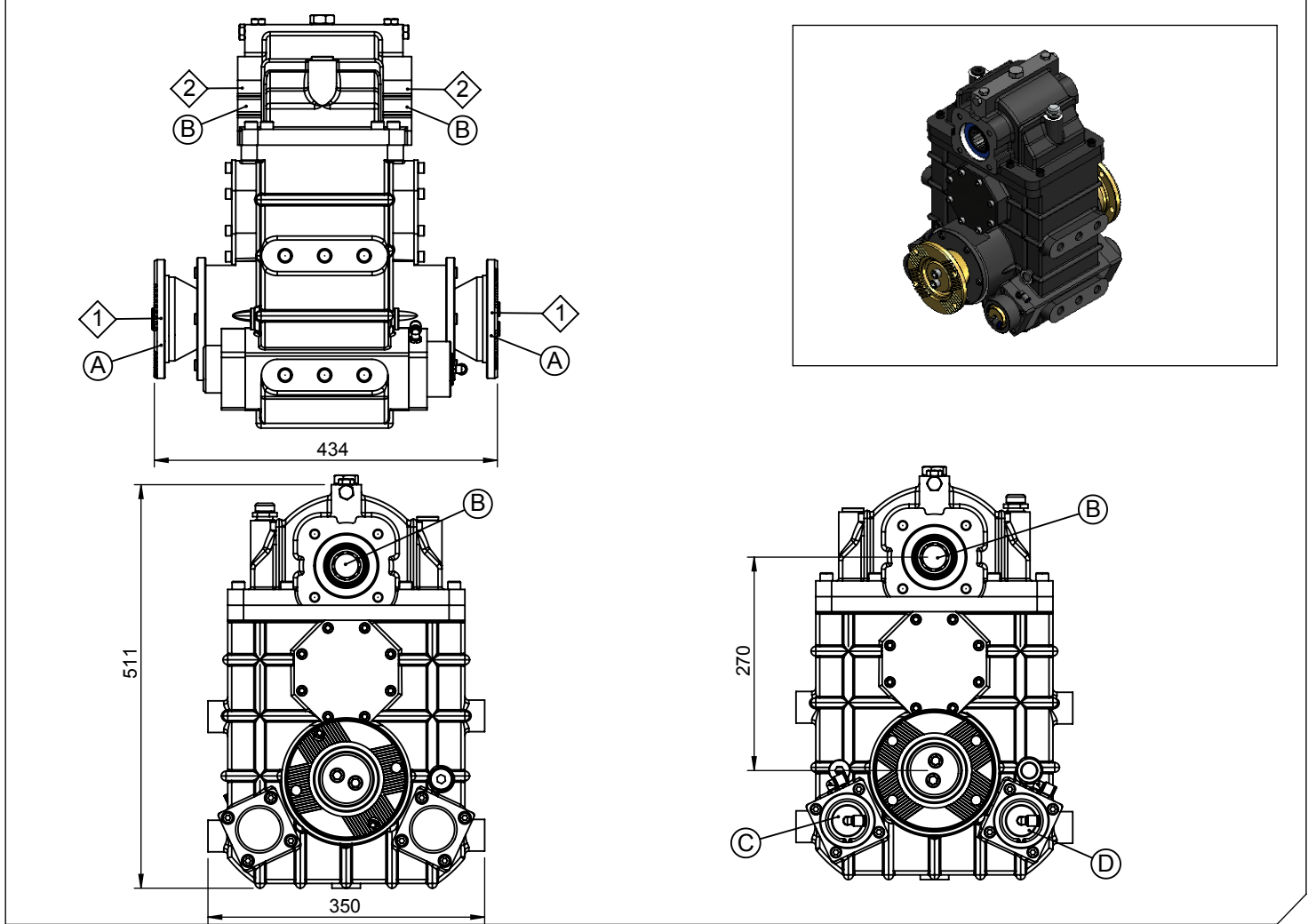


Vehicle Type	For Fire Fighting Vehicles, Road Service Vehicles
Gearbox Type	Pump&Roll Featured Vertical Medium Duty Split Shaft PTO

Product Code	UARA.801
---------------------	-----------------



Products Views



Component Details

A : DIN 150 (Cross Hatch)-DIN 180 (Cross Hatch)-DIN 180
 B : DIN 100 (6 Holes) - DIN 120 (4 Holes) - ISO DIN 5462 - UNI DIN 5463
 C : Air Inlet (Engage)
 D : Air Inlet (Disengage)

Technical Details

Outputs	Max. Power	Max. Torque		Internal Ratio	Mounting Side	Control Type
	@1000 rpm	Nm	Kgm			
1		7848	800	1/1	Split Shaft	Pneumatic
2	135 kW			1/1.84 1/2.25		Weight
3					128 kg	Same as Input