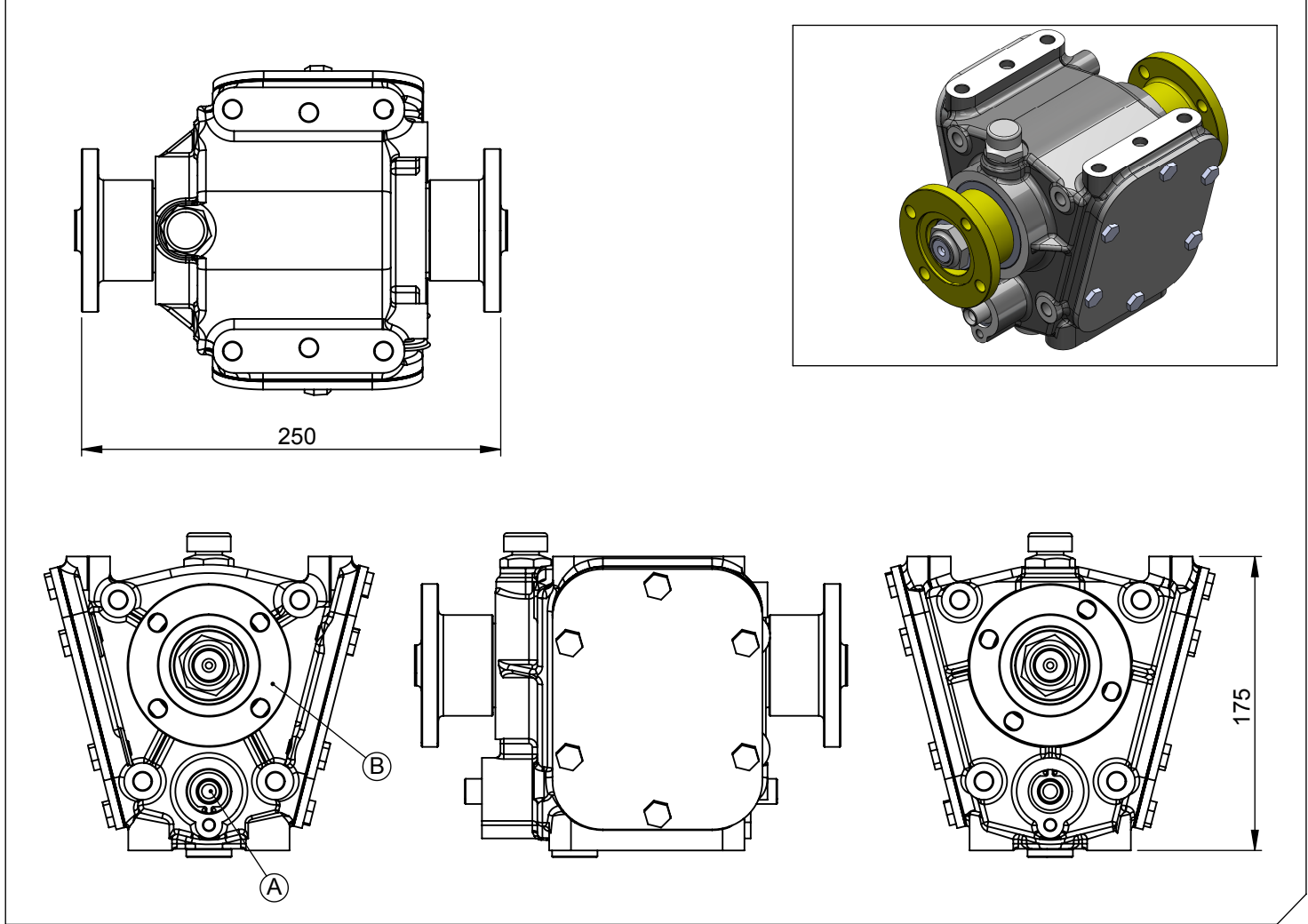


Vehicle Type	FORD TRANSIT, MERCEDES SPRINTER, VOLKSWAGEN, KIA BONGO, OPEL, FIAT BOXER
Gearbox Type	Horizontal Split Shaft PTO

Product Code	UARA.210.H
---------------------	-------------------



Products Views



Component Details

A: Ara Şanzıman Kontrol (Havalı) B: Flanş DIN 100	A: Split Shaft Unit Control (Pneumatic) B: Flange DIN 100
--	--

Technical Details

Max. Power	Max. Torque		Input/Output	Mounting Type	Control Type
	kW	Nm			
	2060	210	1/1 1/1.42	Split Shaft	Mechanic
				Weight	Sense of Rotation
				16 kg	Same as Input