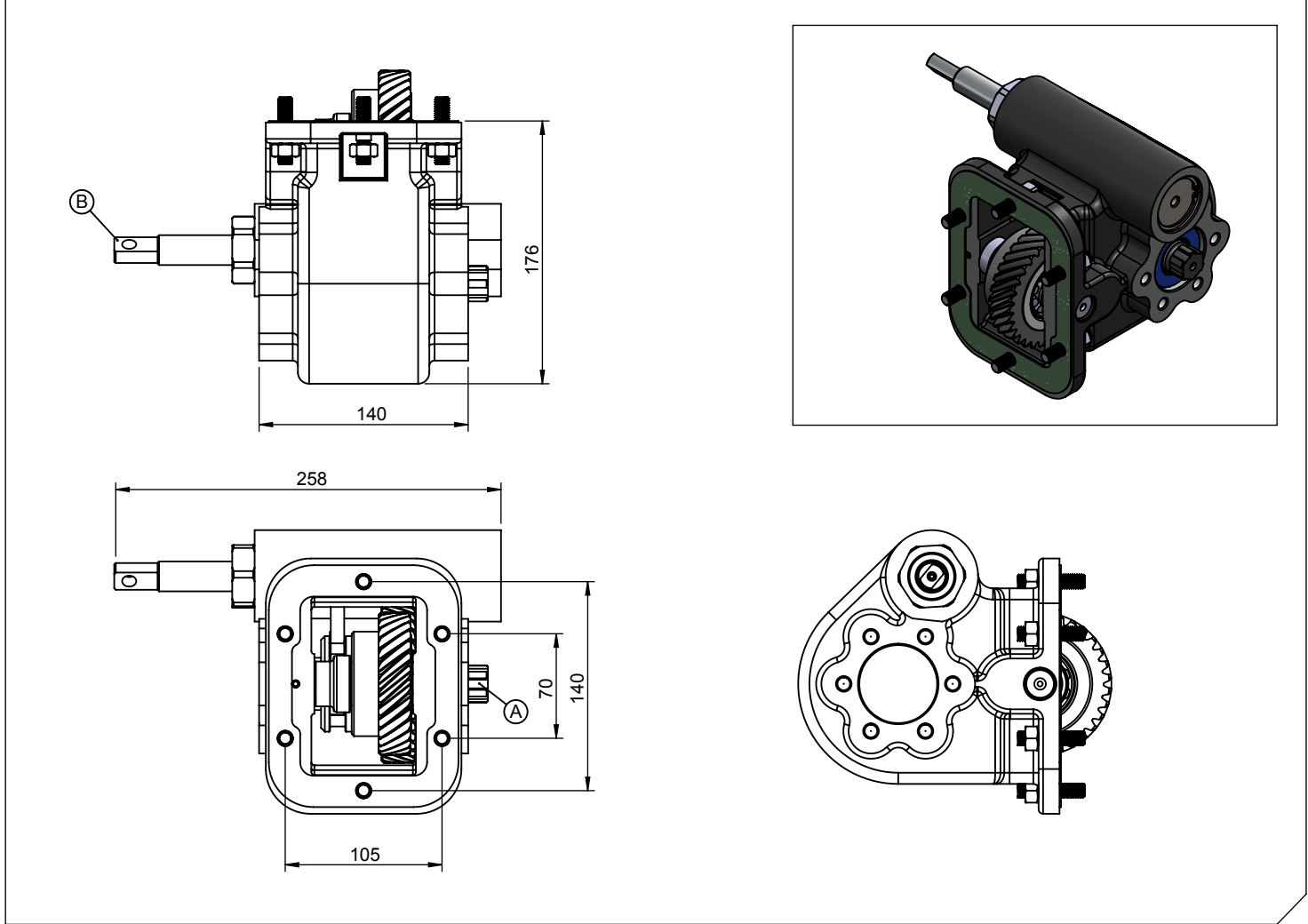


Vehicle Type	2011 6 GEAR NEW HYUNDAI HD 75 EURO 4 / HD 75 F 160
Gearbox Type	T0 60S6 / 60S5 (6 VİTES) HYD.02.60S6.V.KF 43000-5L601 MIGHTY WIDE 6.701 / 0.732 HYUNDAI DYMOS

Product Code	HYD.02.60S6.KF
Rev no-date	00 / 24.10.2016



Products Views



Component Details

A : PTO Output (Standard DIN 5463 6X21X25 UNI 3 Bolt)
Direct mounting ISO 4 bolt mtg. adapter
Drive flange
B : Mechanic Control

Technical Details

Power	Maksimum Tork / Maximum Torque		Input/Output	Mounting Side	Control Type
	kW	Nm			
23,6	225	23	1/0.88	Left Side	Mechanic
				Weight	Sense of Rotation
				15 kg	Opposite of Input