
VEHICLE TYPE

HINO FG1J/GD1J/GD1JEUD-BAX/GD1JLUA-BAX/FG1JMUB-BGX/FG1JPUB-BGX/GH1JGUD-NGX/GH1JMUA-NGX 51021 / 51017 / 51022 / 51322 / FT1JEUA-CGX / FT1JGUA-CGX / FC4JJUA-NNL / FT1JEUA-HGL / GT1JFUA / GT1JHUA HINO FC9J FC4JJRA JERA JLRA / FG8J

TRANSMISSION TYPE

M009

Kozmaksan Hino Power Take OFFs designed for Hino series main transmissions. Kozmaksan Hino PTOs has Single output model, Side Mounting type option and available for UNI&ISO mounting housing or suitable for flange connections.

Applications;

- Garbage Truck
- Crane Truck
- Dump Truck

Vehicle Type **HINO** PNEUMATIC SIDE MOUNTING

Transmission Type **M009**

HN.09.M009

Product Code

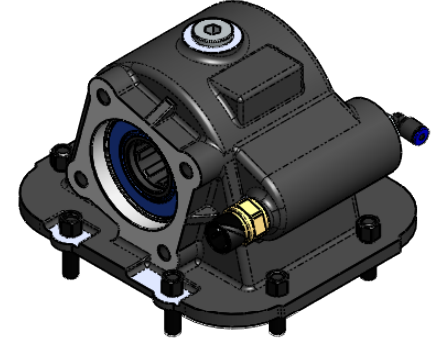
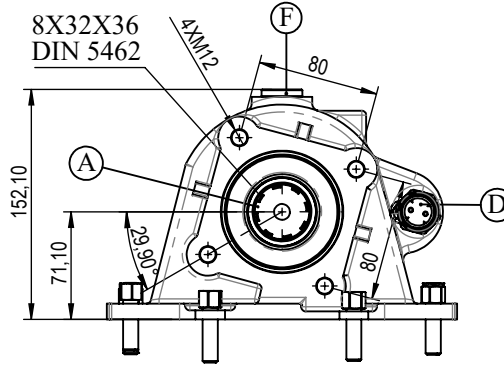
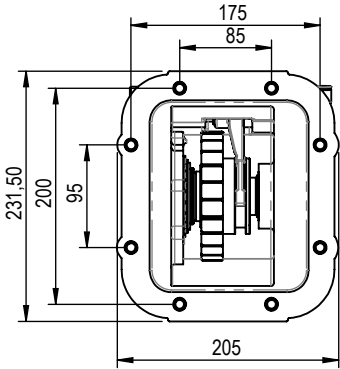
01

31.01.2019

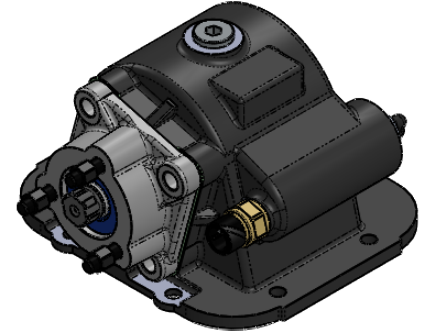
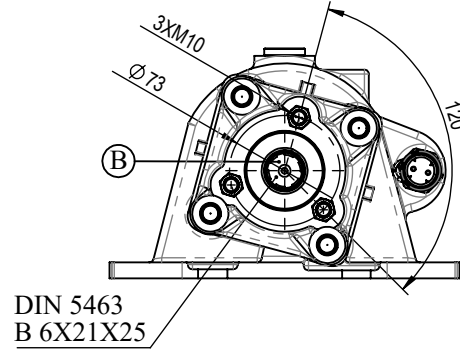
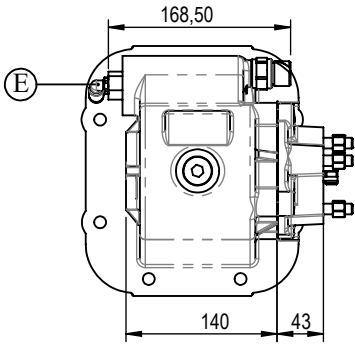
02

Rev. Date

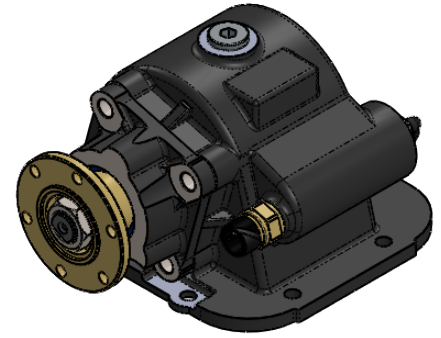
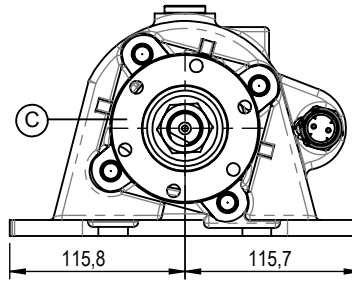
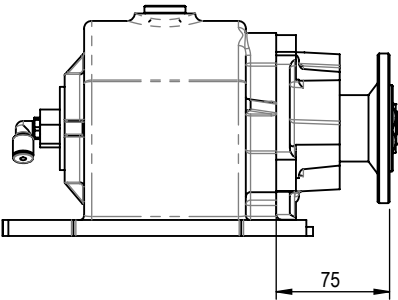
ISO OUTPUT



UNI OUTPUT



FLANGE OUTPUT



A Standard DIN 5462 8X32X36 ISO 4 Bolts Output

B Standard DIN 5463 6X21X25 UNI 3 Bolts Output

C ISO 7647-7647 Standard Flange Output

D Air Inlet R 1/4"

E Engage/Disengage Sensor

F Backlash Control Cover

	ISO Output	UNI Output	FLANGE Output
Power(kW)@1000 RPM	42	23	42
Max. Torque (Nm)	400	220	400
Weight (Kg)	11	13	14
Ratio	1/1		
Engine to PTO Ratio	1/0,64		
Mounting Type	Left Side Mounting		

- Kozmaksan has all rights to change information in this catalogue without announcing it. This document is representing general information. It is not a contract.
 - All information belongs to only PTO/Split Shaft. Do not use PTO/Split Shaft, if it is not suitable for your engine and main transmission.
 - Pumps, shafts and other parts should not be longer or heavier than approved distance and weight by the manufacturer of main transmission and engine.

KozmaksanPTO

kozmaksanpto

kozmaksan-hydraulics-pt



1.OSB. Erkunt Cad. No: 6 Sincan / ANKARA
 Tel.+90 312 267 39 71-Fax +90 312 267 38 72
 order@kozmaksan.com.tr
 www.kozmaksan.com.tr



HN.09.M009

Product Code

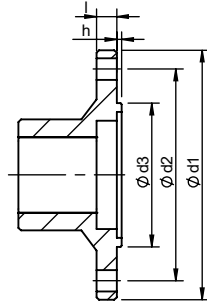
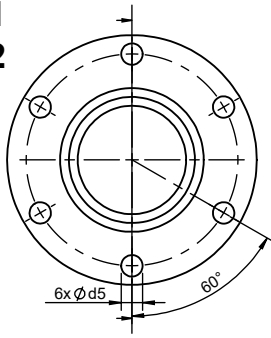
01

31.01.2019

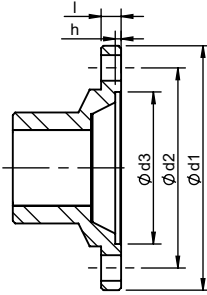
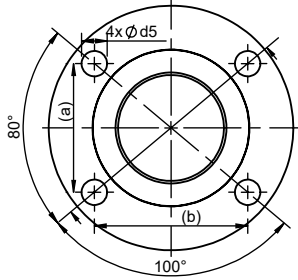
3/3

Rev. Date

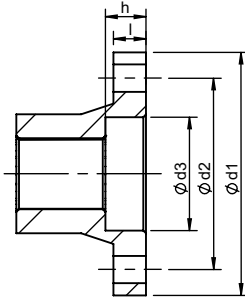
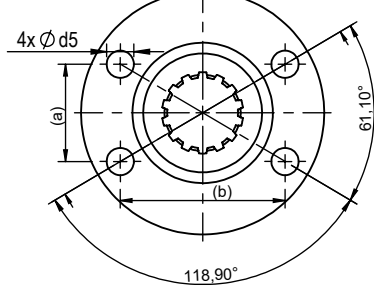
1.1
1.2



1.3



1.4

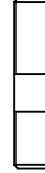


	Ød1	Ød2	Ød3	Ød5	l	h	Hole	(a) x (b)
1.1	100	84	57	8,1	8	2,3	6	-
1.2	90	74,5	47	8,1	8	2,3	6	-
1.3	97	79,37	60,32	10,1	8	2,3	4	51 x 60,8
1.4	90	70,83	42	10,1	12	9	4	36 x 61

All dimensions are mm.

(PTO Mounting Parts)

5



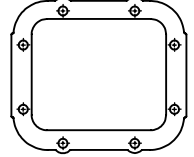
6 pcs

6



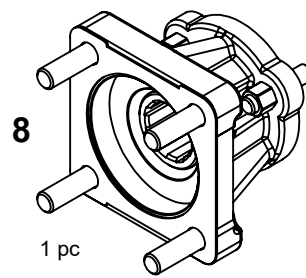
6 pcs

7



1 pc

ISO Adapter



8

1 pc

UNI Pump Mounting Parts

5



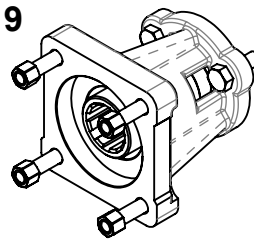
3 pcs

6



3 pcs

9



No	Code	Description	No	Code	Description
1.1	C06-083-2	ISO 7646-100x6x8	9	AKP.PP.1	ISO Adapter
1.2	C06-083-3	ISO 7646-90x6x8			
1.3	C06-083-1	ISO 7647-SAE 1300x4x10			
1.4	C06-185	Ø90 Flange			
5	T07-004	M10x1,5x45 mm Stud			
6	T08-001	M10x1,5 Nut			
7	T06-133	Gasket 1 mm			
8	AKP.PP.2.52	ISO Adapter			

- Kozmaksan has all rights to change information in this catalogue without announcing it. This document is representing general information. It is not a contract.
- All information belongs to only PTO/Split Shaft. Do not use PTO/Split Shaft, if it is not suitable for your engine and main transmission.
- Pumps, shafts and other parts should not be longer or heavier than approved distance and weight by the manufacturer of main transmission and engine.

KozmaksanPTO

kozmaksanpto

kozmaksan-hydraulics-pt