**Vehicle Type**

MACK, KENWORTH, PETERBILT, WESTERN STAR, FREIGHTLINER

Transmission Type

RTLO18918B

Side Housing Options;

SAE -B 2 or 4 hole, SAE B-B 2 or 4 hole Pump Housing

Control Type;

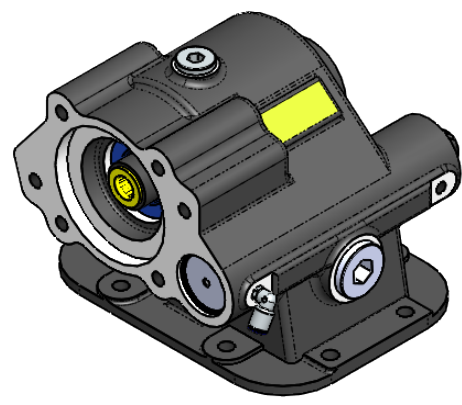
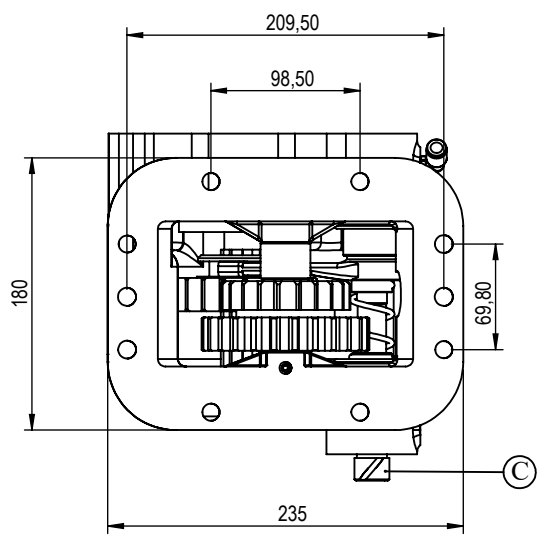
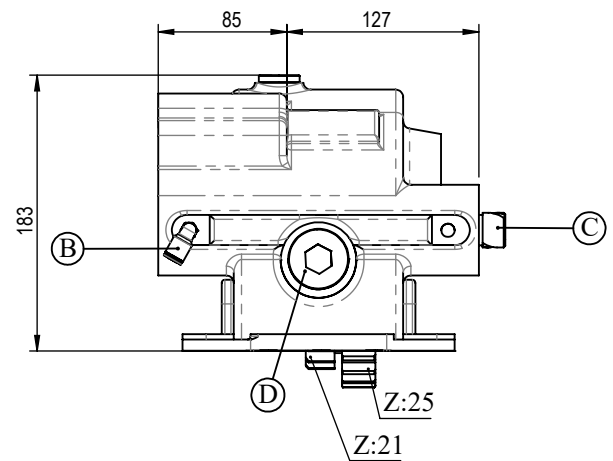
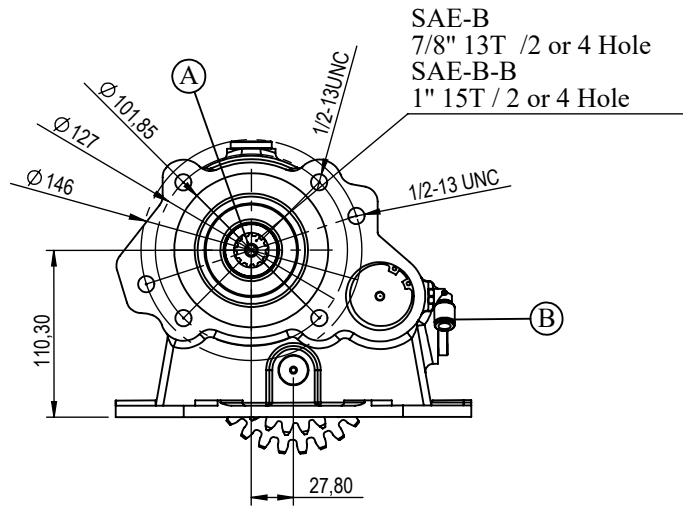
Pneumatic

Application;Garbage Truck
Crane Truck
Dump Truck

Vehicle Type	FULLER	Pneumatic Control	Right Connection
Transmission Type	RTLO18918B		

FUL.09.RTLO18918B		Product Code
01	14.01.2019	02
		Rev.No-Date -Page No

SAE B /SAE B-B Output

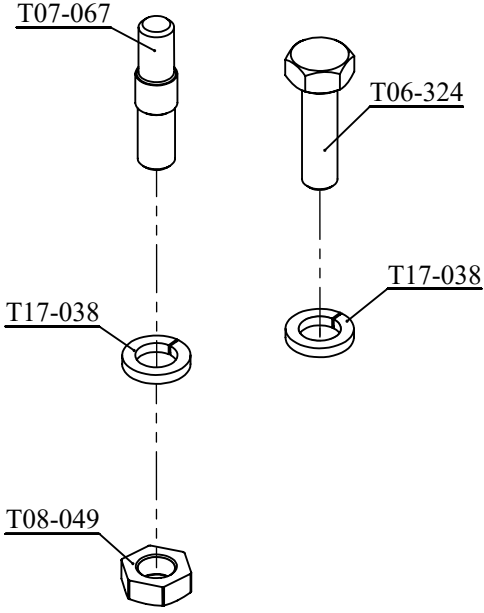


Product Code	Output	Spline	Pump Housing
FUL.09.RTLO18918B.SAEB	SAE B	7/8" 13T	2 or 4 Hole
FUL.09.RTLO18918B.SAEB-B	SAE B-B	1" 15T	2 or 4 Hole

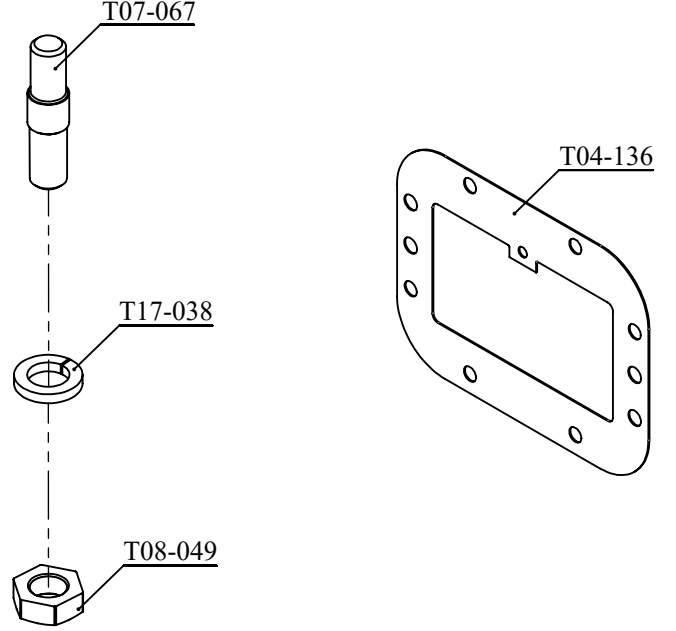
A	SAE B 7/8" 13T 2 or 4 Hole Housing SAE B-B 1"15T 2 or 4 Hole Housing
B	Air Inlet R 1/8"
C	Engage-Disengage Sensor
D	Backlash Control Plug

	SAE-B Output		
Power @1000r/m(kW)	33		
Max Torque (Nm)	312		
Weight (Kg)	17		
Internal Ratio	1/0,91 - 1/0,84		
Mouting Side	Underside		
Sense of Rotation	Opposite of Engine Shaft		

Connection Parts 1



Connection Parts 2



	Code	Qty
1	T07-067	2
2	T17-038	8
3	T08-049	2
4	T06-324	6

	Code	Qty
1	T07-067	8
2	T17-038	8
3	T08-049	8

No	Code	Description	No	Code	Description
1	T07-067	7/16' UNC 7/16' UNF STUD	9		
2	T17-038	7/16 SPRING WASHER	10		
3	T08-049	7/16' UNF (20T) NUT	11		
4	T06-324	7/16X34 UNC BOLT	12		
5	T04-136	GASKET	13		
6			14		
7			15		
8			16		