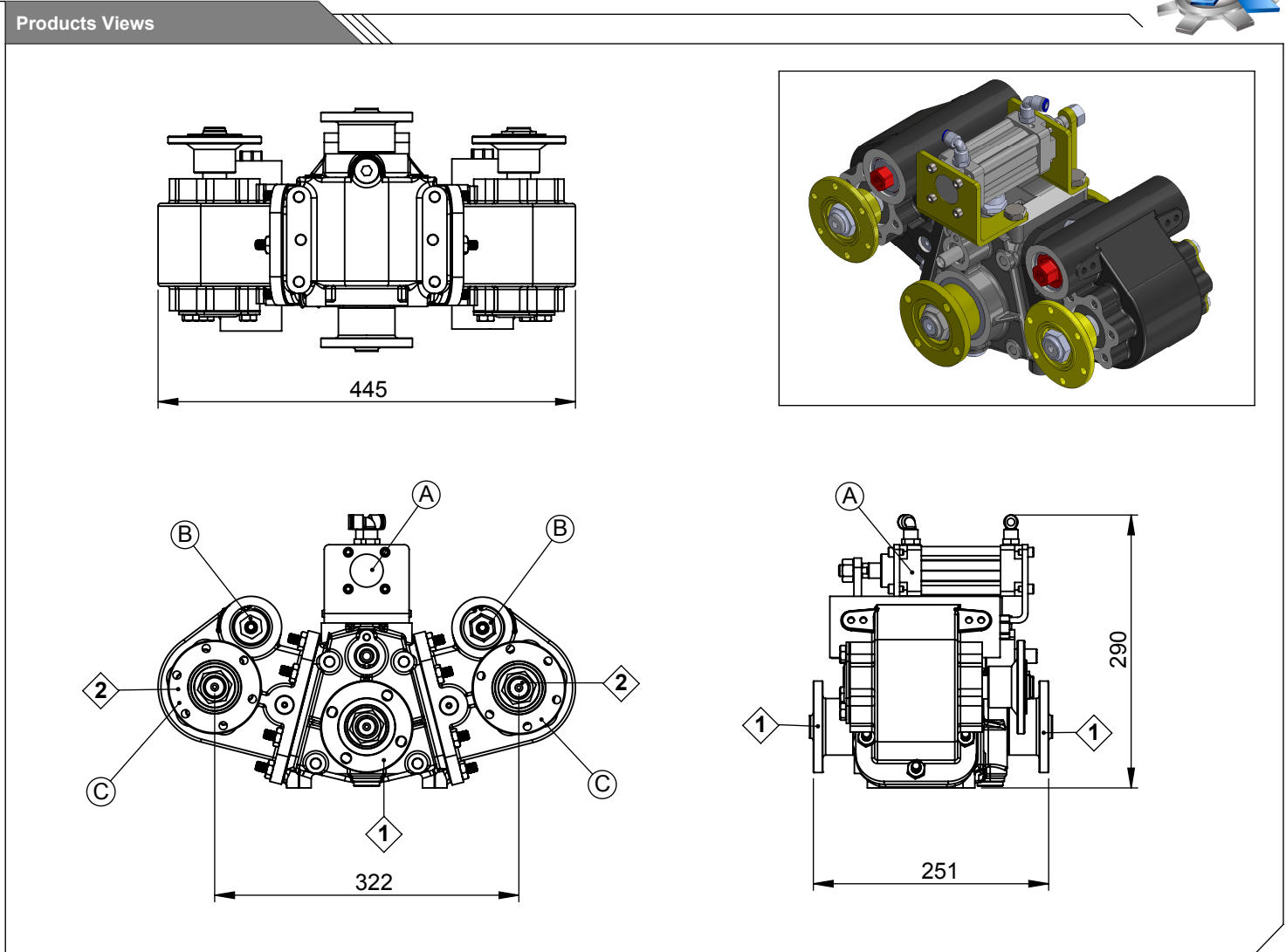


<b>Vehicle Type</b>	Ford Transit, Mercedes Sprinter, Volkswagen, KIA Bongo, Opel, Fiat Boxer etc.
<b>Gearbox Type</b>	Horizontal Split Shaft Power Take-Off

<b>Product Code</b>	<b>UARA.210.2.H</b>
---------------------	---------------------



**Component Details**

<p>A : Split Shaft Unit Main Output Control (Pneumatic)          B : PTO Output Control (Pneumatic)          C : ISO 7646, ISO 7647, UNI, ISO etc. Standard Output</p>	
--	--

**Technical Details**

Outputs	Max. Power	Max. Torque		Input/Output	Mounting Type	Control Type
	<i>kW</i>	<i>Nm</i>	<i>kgm</i>			
1			210	1/1	Split Shaft	Mechanic or Pneumatic
2	37		36	1/1.42		
3					36 kg	Opposite of Input