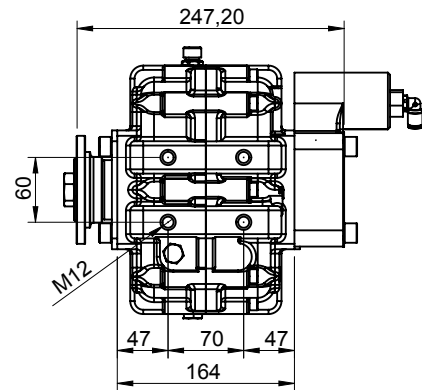
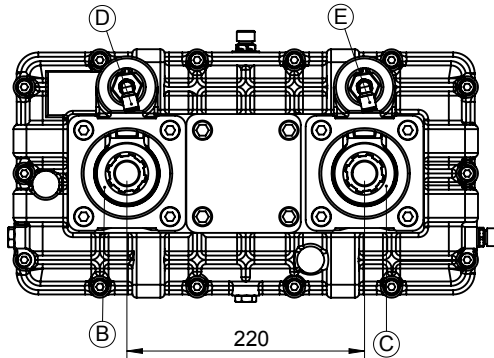
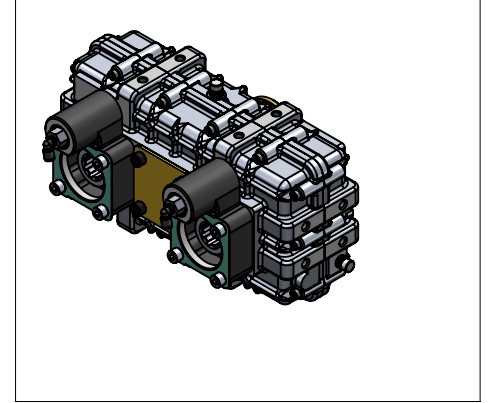
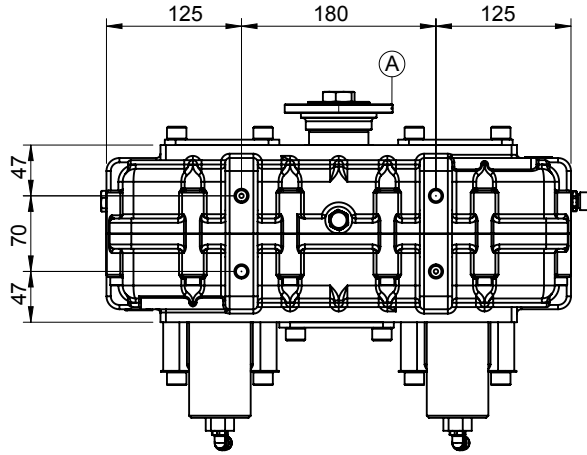


Application Type	Horizontal or Vertical Usage
Gearbox Type	3 Axis RPM Increaser or Decreaser

Product Code	KRD.30.ISO
Revision No- Date	01 / 14.04.2016



Products Views



Component Details

A : Input Flange
(ISO 7646, ISO 7647, DIN, SAE, ISO, UNI Standards)

B : 1st Output ISO 7653 , Spline ISO 14 32x36x8

C : 2nd Output ISO 7653 , Spline ISO 14 32x36x8

D : Engage the 1st. output (For disengage stop the air force)

E : Engage the 2st. output (For disengage stop the air force)

Technical Details

Outputs	Max. Power	Max. Torque		Input/Output	Mounting Type	Control Type
	<i>kW</i>	<i>Nm</i>	<i>kgm</i>			
A		1421	145		Split Shaft	Pneumatic
B	50	477	48,6			
C	50	477	48,6	1/0,64 1/1,02	Weight	Sense of Rotation
				1/0,76 1/1,09		
				1/0,91 1/1,30	42 kg	Opposite of Input
				1/1,55		