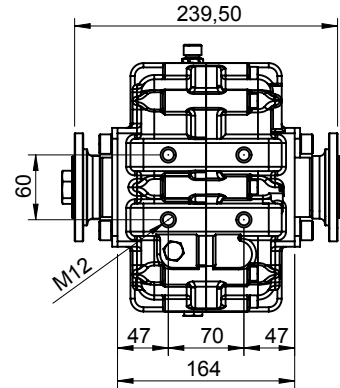
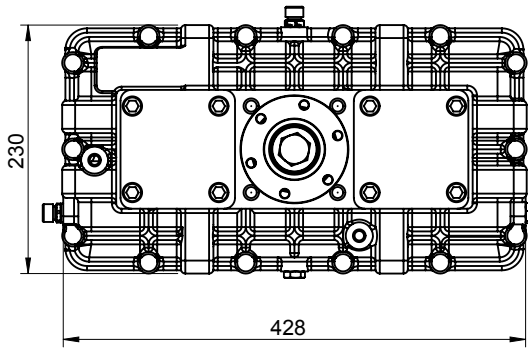
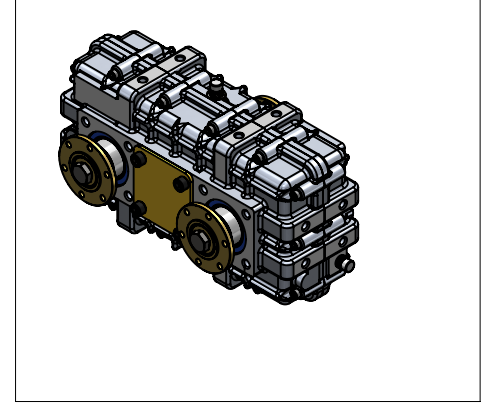
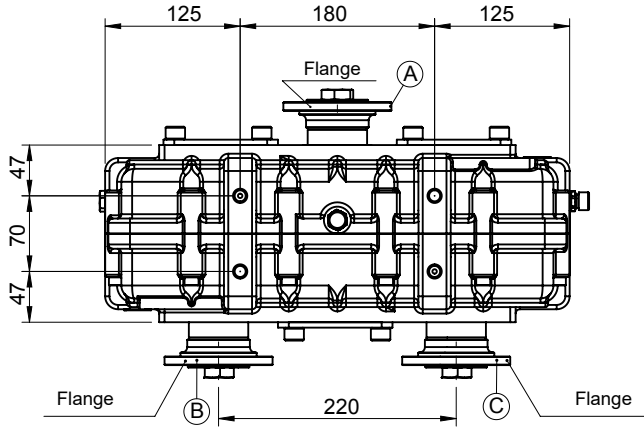


Application Type	Horizontal or Vertical Usage
Gearbox Type	3 Axis RPM Increaser/Decreaser

Product Code	KRD.30
Revision No- Date	02 / 14.09.2017



Products Views



Opsiyonlar / Options

- A : Input Flange (ISO 7647 - ISO 7646 - Standard Flange)
 B : Output Flange (ISO 7647 - ISO 7646 - Standard Flange)
 C : Output Flange (ISO 7647 - ISO 7646 - Standard Flange)

Technical Details

Outputs	Max. Power	Max. Torque		Input/Output	Mounting Type	Sense of Rotation
	kW	Nm	kgm			
A		2390	244		Split Shaft	Opposite of Input
B	150	1430	145			
C	150	1430	145	1/0,64 1/1,02 1/0,76 1/1,09 1/0,91 1/1,30 1/1,55		
					Weight	
					36 kg	



Ofis / Office
 Tel. +90 312 354 05 39
 Fax +90 312 354 34 59
 7. Sokak No: 9
 Ostim / ANKARA
 e-mail: info@kozmaksan.com.tr

Fabrika / Factory
 Tel. +90 312 267 39 71
 Fax +90 312 267 38 72
 AOS. 1. OSB. Erkunt Cad. No: 6
 Sincan / ANKARA
 Website: www.kozmaksan.com.tr