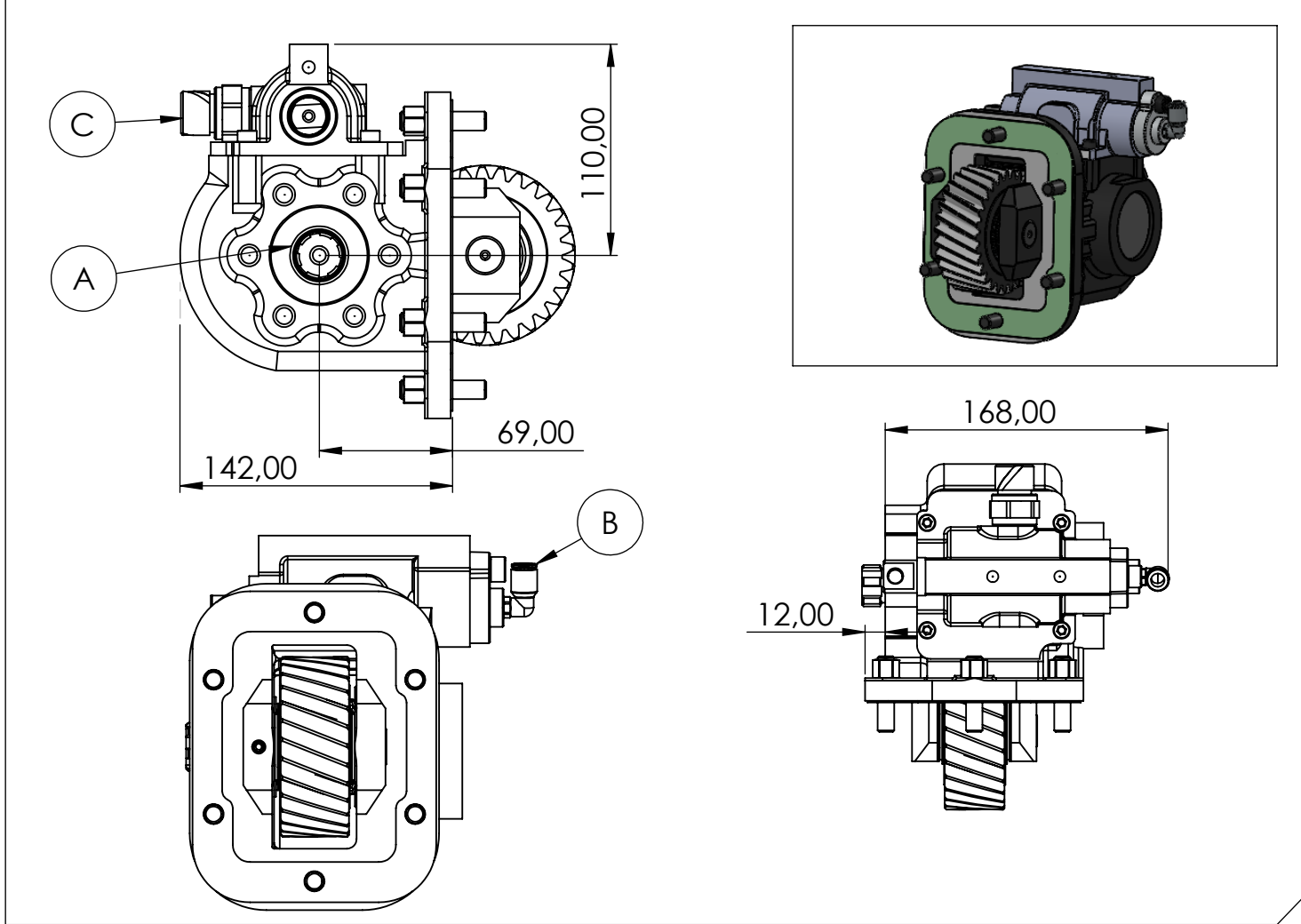


Araç Tipi Vehicle Type	NLR85L (ED6AYG-HD6AYG) / NNR85L (FD5AYG-HD5AYG) / NPR75L (HL5VAYGN-KL5VAYGN-KL5VAYG) NPR 66-71-75-77 ISUZU / NKR 250 / NPR 250 / NKR 66 E2L / HINO 300 SERİ 4X2 / NQR 70 P / ELF NKR71 ELF 130 / NPR 66L / NQR71PL / NPR85L / 4.3 NPR 70 / NKR66E / NPR66P / NQR71R / NPR 66 LL / HINO DUTRO NQR71PL / NPR 75 LONG / NLR / NLR LONG / NNR / NNR LONG / NPR 75 / N 10 / NPR 8 / NPR 8 LONG
Şanzıman Tipi Transmission Type	MYY5T / MOY-9F / MOY-9H / MOYCR / MYY-6S / MOYMB / MOYNA / MYY-5S / MYY-6P / MYY-5A / MOYGX MOY4N / MOYNB / MOYNC / MYY5R / MYY5D / MOYPN / MOYUK / MOYMC / MOYMR / MOYPZ (5,315-5,979)

Ürün Kodu / Product Code	ISZ.15.H.KF
Revizyon No-Tarih / Revision No- Date	

Ürün Görünümleri / Products View



Opsiyonlar / Options

A : PTO Çıkışı (Standart DIN 5463 6X21X25 UNI 3 Delikli)	A : PTO Output (Standard DIN 5463 6X21X25 UNI 3 Bolt)
B: HAVALI KONTROL	B: AIR KONTROL
C: SENSÖR	C: SENSOR

Teknik Bilgi / Technical Data

Güç / Power (Kw)	Maksimum Tork / Maximum Torque		Çevrim Oranı / Ratio	Bağlantı Şekli / Mounting Side	Kontrol Tipi / Control Type
	Nm	Kgm			
1000 Dev. / Dak.				SOL YAN/LEFT SIDE	HAVALI/AIR
21	200	20,4	1/1.03	Ağırlık / Weight (Kg)	Dönüş Yönü /Sense of Rotation
				14	SAĞ/CLOCKWISE(CW)

KOZANOĞLU KOZMAKSAN

Hidrolik Pompa ve Ara Şanzıman P.T.O. İmalat San. ve Tic. Ltd. Şti.
Hydraulic Pumps & Power Take-Offs Manufacturing Limited Co.

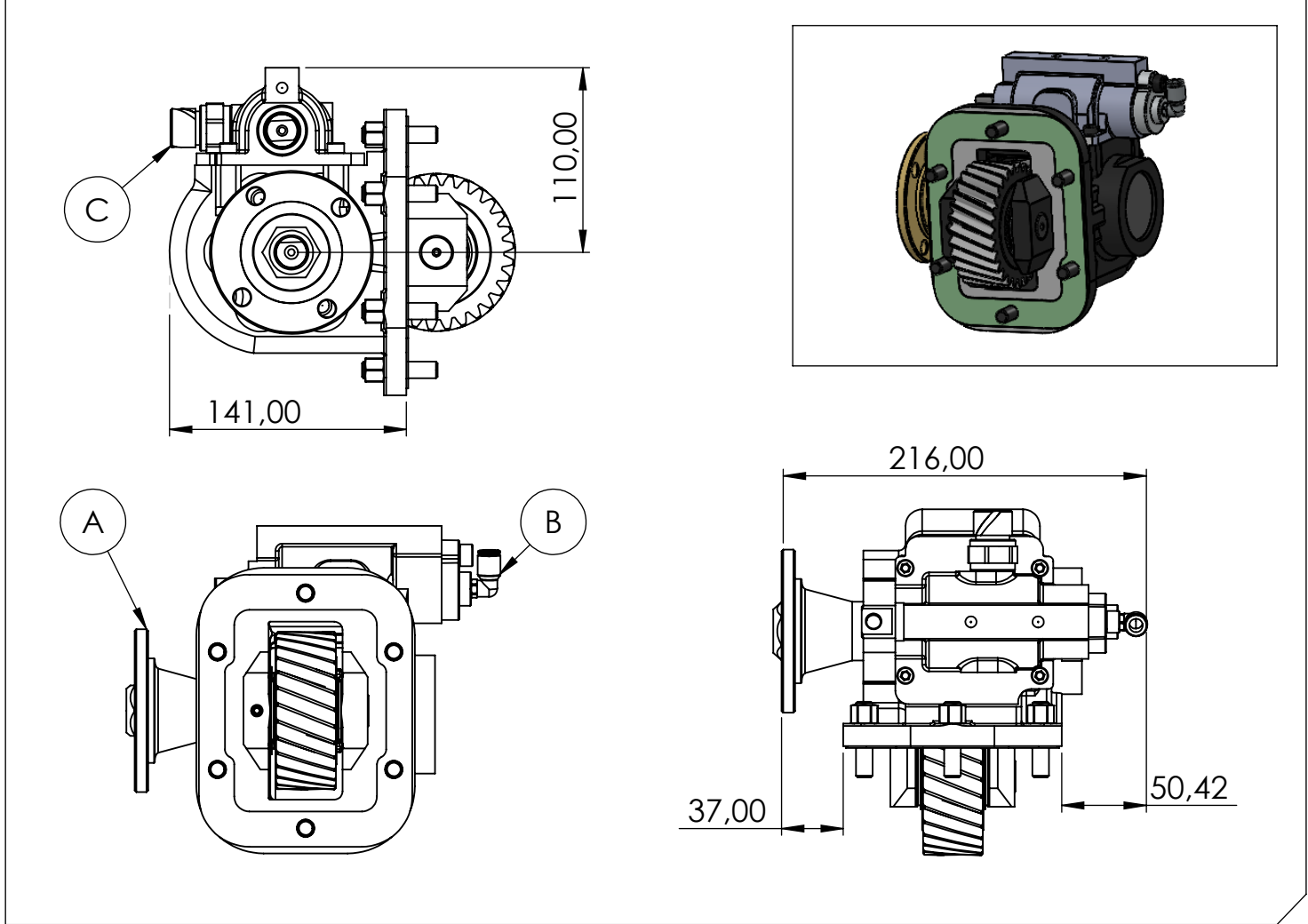
Ofis / Office
Tel. +90 312 354 05 39
Fax +90 312 354 34 59
7. Sokak No: 9
Ostim / ANKARA
e-mail: info@kozmaksan.com.tr

Fabrika / Factory
Tel. +90 312 267 39 71
Fax +90 312 267 38 72
AOS. 1. OSB. Erkunt Cad. No: 6
Sincan / ANKARA
Website: www.kozmaksan.com.tr

Araç Tipi Vehicle Type	NLR85L (ED6AYG-HD6AYG) / NNR85L (FD5AYG-HD5AYG) / NPR75L (HL5VAYGN-KL5VAYGN-KL5VAYG) NPR 66-71-75-77 ISUZU / NKR 250 / NPR 250 / NKR 66 E2L / HINO 300 SERİ 4X2 / NQR 70 P / ELF NKR71 ELF 130 / NPR 66L / NQR71PL / NPR85L / 4.3 NPR 70 / NKR66E / NPR66P / NQR71R / NPR 66 LL / HINO DUTRO NQR71PL / NPR 75 LONG / NLR / NLR LONG / NNR / NNR LONG / NPR 75 / N 10 / NPR 8 / NPR 8 LONG
Şanzıman Tipi Transmission Type	MYY5T / MOY-9F / MOY-9H / MOYCR / MYY-6S / MOYMB / MOYNA / MYY-5S / MYY-6P / MYY-5A / MOYGX MOY4N / MOYNB / MOYNC / MYY5R / MYY5D / MOYPN / MOYUK / MOYMC / MOYMR / MOYPZ (5,315-5,979

Ürün Kodu / Product Code	ISZ.15.H.UF
Revizyon No-Tarih / Revision No- Date	0.0/10.04.2023

Ürün Görünümleri / Products View



Opsiyonlar / Options

A: Kaplinli (Flanşlı Bağlantı) B: Hava Kontrol C: Sensör	A: Drive Flange B: Air Control C: Sensor
---	---

Teknik Bilgi / Technical Data

Güç / Power (Kw)	Maksimum Tork / Maximum Torque		Çevrim Oranı Ratio	Bağlantı Şekli Mounting Side	Kontrol Tipi Control Type
	Nm	Kgm			
1000 Dev. / Dak.				SOL YAN/LEFT SIDE	HAVALI/AIR
24	229	23,36	1/1,03	Ağırlık / Weight (Kg)	Dönüş Yönü /Sense of Rotation
				14	SAĞ/CLOCKWISE (CW)

KOZANOĞLU KOZMAKSAN

Hidrolik Pompa ve Ara Şanzıman P.T.O. İmalat San. ve Tic. Ltd. Şti.
Hydraulic Pumps & Power Take-Offs Manufacturing Limited Co.

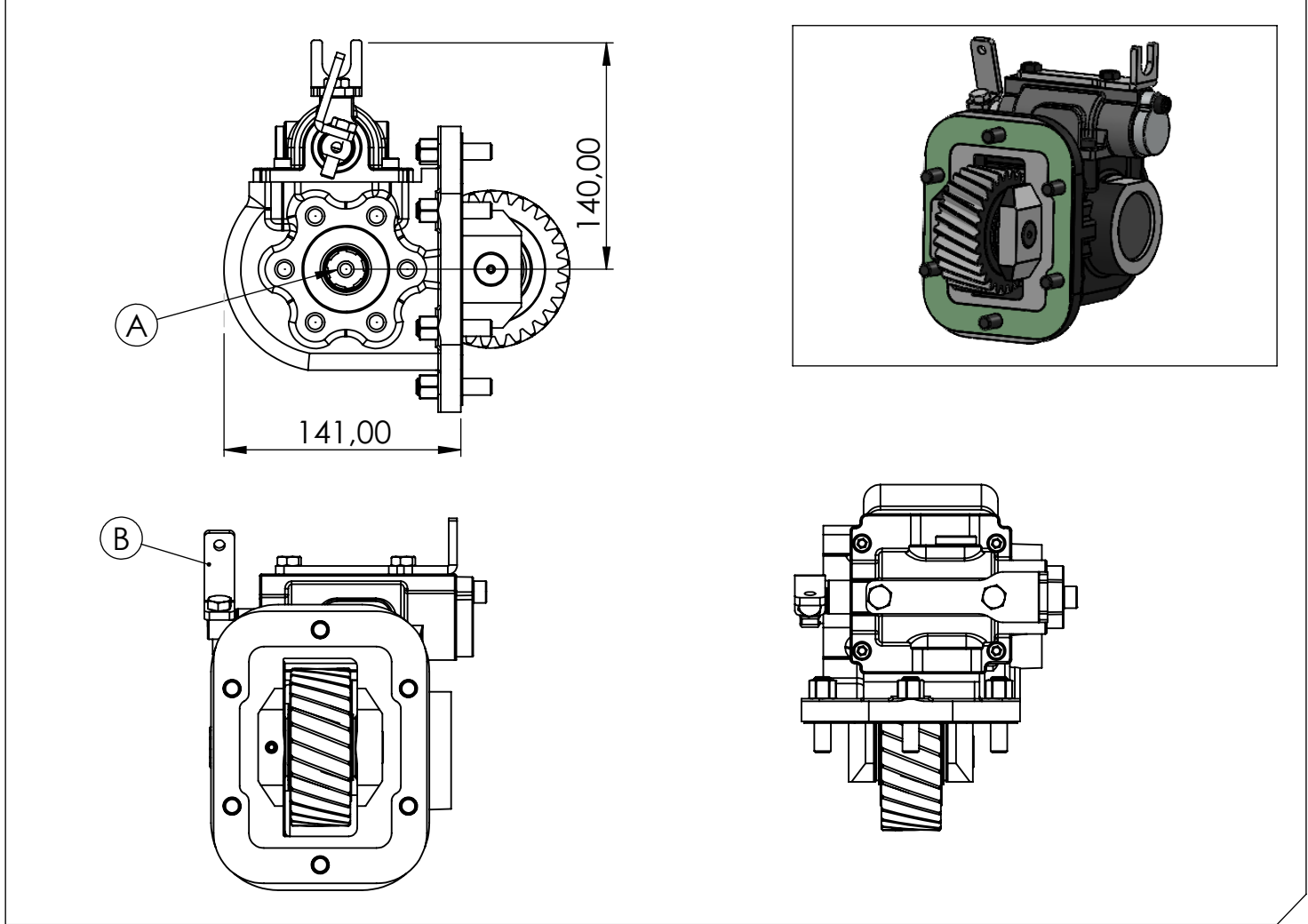
Ofis / Office
Tel. +90 312 354 05 39
Fax +90 312 354 34 59
7. Sokak No: 9
Ostim / ANKARA
e-mail: info@kozmaksan.com.tr

Fabrika / Factory
Tel. +90 312 267 39 71
Fax +90 312 267 38 72
AOS. 1. OSB. Erkunt Cad. No: 6
Sincan / ANKARA
Website: www.kozmaksan.com.tr

Araç Tipi Vehicle Type	NLR85L (ED6AYG-HD6AYG) / NNR85L (FD5AYG-HD5AYG) / NPR75L (HL5VAYGN-KL5VAYGN-KL5VAYG) NPR 66-71-75-77 ISUZU / NKR 250 / NPR 250 / NKR 66 E2L / HINO 300 SERİ 4X2 / NQR 70 P / ELF NKR71 ELF 130 / NPR 66L / NQR71PL / NPR85L / 4.3 NPR 70 / NKR66E / NPR66P / NQR71R / NPR 66 LL / HINO DUTRO NQR71PL / NPR 75 LONG / NLR / NLR LONG / NNR / NNR LONG / NPR 75 / N 10 / NPR 8 / NPR 8 LONG
Şanzıman Tipi Transmission Type	MYY5T / MOY-9F / MOY-9H / MOYCR / MYY-6S / MOYMB / MOYNA / MYY-5S / MYY-6P / MYY-5A / MOYGX MOY4N / MOYNB / MOYNC / MYY5R / MYY5D / MOYPN / MOYUK / MOYMC / MOYMR / MOYPZ (5,315-5,979)

Ürün Kodu / Product Code	ISZ.15.M.KF
Revizyon No-Tarih / Revision No- Date	

Ürün Görünümleri / Products View



Opsiyonlar / Options

A : PTO Çıkışı (Standart DIN 5463 6X21X25 UNI 3 Delikli)	A : PTO Output (Standard DIN 5463 6X21X25 UNI 3 Bolt)
B: MEKANİK KONTROL	B: MECHANİCAL KONTROL
C: SENSÖR	C: SENSOR

Teknik Bilgi / Technical Data

Güç / Power (Kw)	Maksimum Tork / Maximum Torque		Çevrim Oranı Ratio	Bağlantı Şekli Mounting Side	Kontrol Tipi Control Type
	Nm	Kgm			
1000 Dev. / Dak.				SOL YAN/LEFT SIDE	HAVALI/AIR
21	200	20,4	1/1.03	Ağırlık / Weight (Kg)	Dönüş Yönü /Sense of Rotation
				14	SAĞ/CLOCKWISE(CW)

KOZANOĞLU KOZMAKSAN

Hidrolik Pompa ve Ara Şanzıman P.T.O. İmalat San. ve Tic. Ltd. Şti.
Hydraulic Pumps & Power Take-Offs Manufacturing Limited Co.

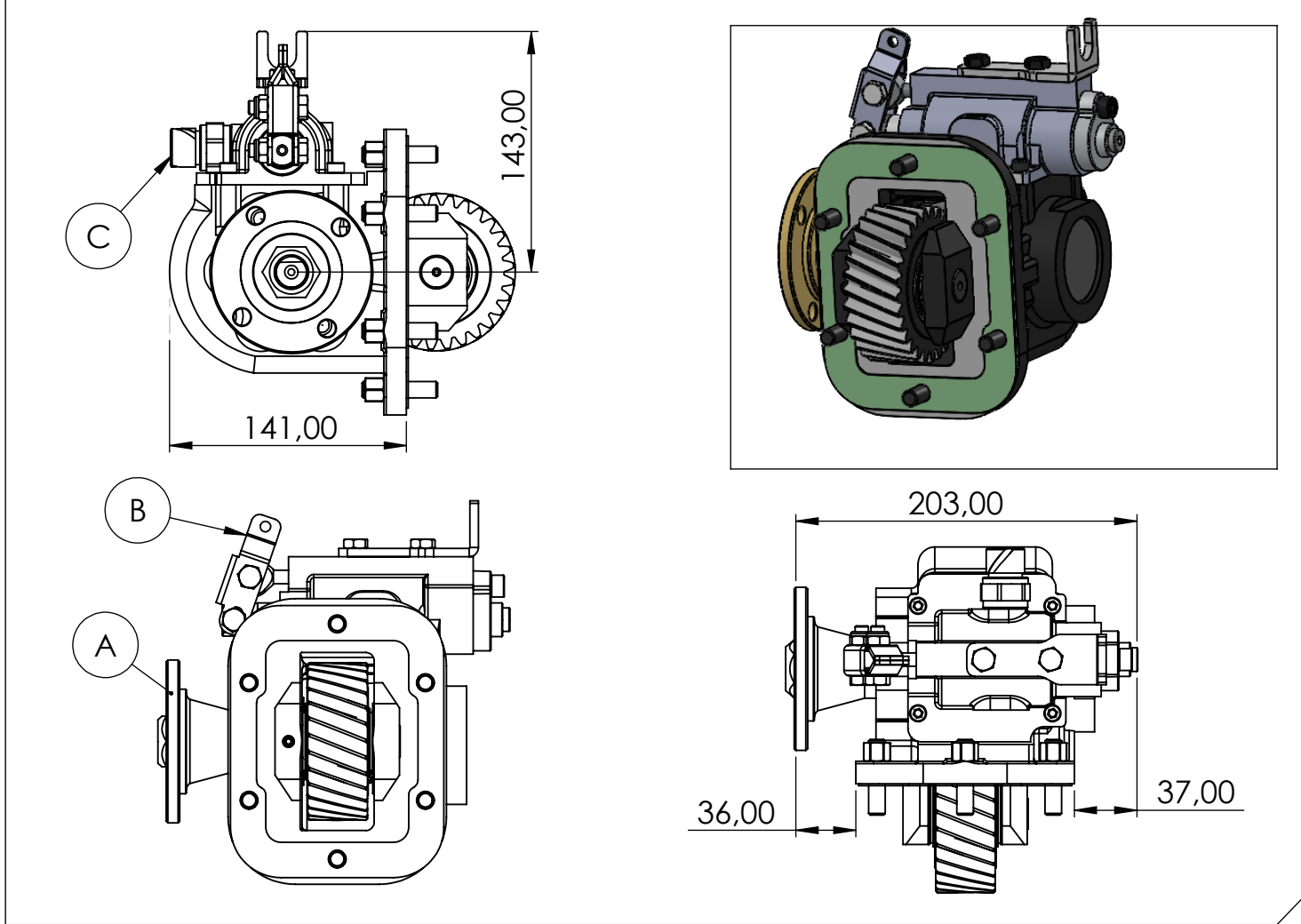
Ofis / Office
Tel. +90 312 354 05 39
Fax +90 312 354 34 59
7. Sokak No: 9
Ostim / ANKARA
e-mail: info@kozmaksan.com.tr

Fabrika / Factory
Tel. +90 312 267 39 71
Fax +90 312 267 38 72
AOS. 1. OSB. Erkunt Cad. No: 6
Sincan / ANKARA
Website: www.kozmaksan.com.tr

Araç Tipi Vehicle Type	NLR85L (ED6AYG-HD6AYG) / NNR85L (FD5AYG-HD5AYG) / NPR75L (HL5VAYGN-KL5VAYGN-KL5VAYG) NPR 66-71-75-77 ISUZU / NKR 250 / NPR 250 / NKR 66 E2L / HINO 300 SERİ 4X2 / NQR 70 P / ELF NKR71 ELF 130 / NPR 66L / NQR71PL / NPR85L / 4.3 NPR 70 / NKR66E / NPR66P / NQR71R / NPR 66 LL / HINO DUTRO NQR71PL / NPR 75 LONG / NLR / NLR LONG / NNR / NNR LONG / NPR 75 / N 10 / NPR 8 / NPR 8 LONG
Şanzıman Tipi Transmission Type	MYY5T / MOY-9F / MOY-9H / MOYCR / MYY-6S / MOYMB / MOYNA / MYY-5S / MYY-6P / MYY-5A / MOYGX MOY4N / MOYNB / MOYNC / MYY5R / MYY5D / MOYPN / MOYUK / MOYMC / MOYMR / MOYPZ (5,315-5,979

Ürün Kodu / Product Code	ISZ.15.M.UF
Revizyon No-Tarih / Revision No- Date	0.0/10.04.2023

Ürün Görünümleri / Products View



Opsiyonlar / Options

A: Kaplinli (Flanşlı Bağlantı) B: Mekanik Kontrol C: Sensör	A: Drive Flange B: Mechanical Control C: Sensor
--	--

Teknik Bilgi / Technical Data

Güç / Power (Kw)	Maksimum Tork / Maximum Torque		Çevrim Oranı Ratio	Bağlantı Şekli Mounting Side	Kontrol Tipi Control Type
	Nm	Kgm			
1000 Dev. / Dak.				SOL YAN/LEFT SIDE	HAVALI/AIR
24	229	23,36	1/1,03	Ağırlık / Weight (Kg)	Dönüş Yönü /Sense of Rotation
				14	SAĞ/CLOCKWISE (CW)

KOZANOĞLU KOZMAKSAN

Hidrolik Pompa ve Ara Şanzıman P.T.O. İmalat San. ve Tic. Ltd. Şti.
Hydraulic Pumps & Power Take-Offs Manufacturing Limited Co.

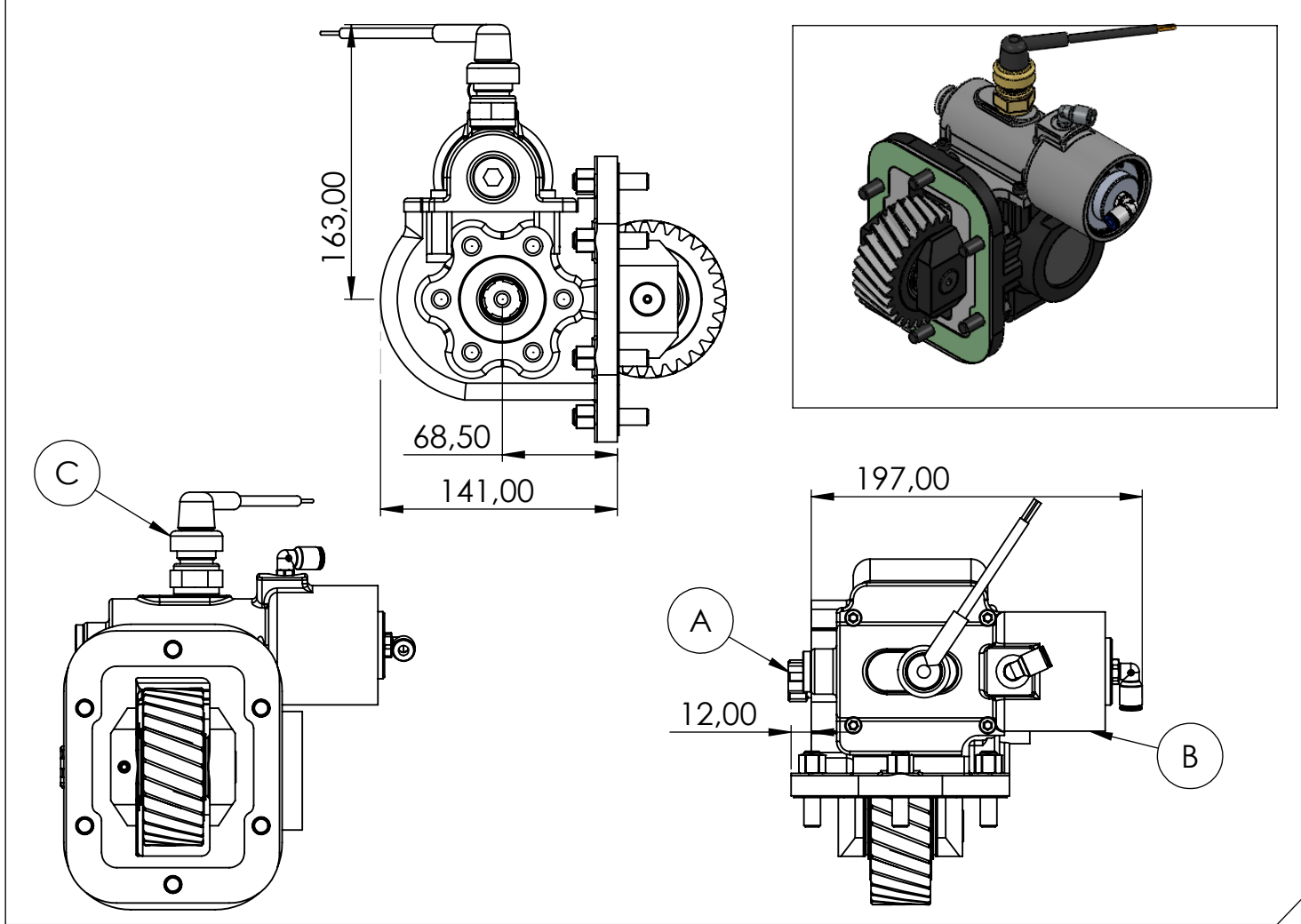
Ofis / Office
Tel. +90 312 354 05 39
Fax +90 312 354 34 59
7. Sokak No: 9
Ostim / ANKARA
e-mail: info@kozmaksan.com.tr

Fabrika / Factory
Tel. +90 312 267 39 71
Fax +90 312 267 38 72
AOS. 1. OSB. Erkunt Cad. No: 6
Sincan / ANKARA
Website: www.kozmaksan.com.tr

Araç Tipi Vehicle Type	NLR85L (ED6AYG-HD6AYG) / NNR85L (FD5AYG-HD5AYG) / NPR75L (HL5VAYGN-KL5VAYGN-KL5VAYG) NPR 66-71-75-77 ISUZU / NKR 250 / NPR 250 / NKR 66 E2L / HINO 300 SERİ 4X2 / NQR 70 P / ELF NKR71 ELF 130 / NPR 66L / NQR71PL / NPR85L / 4.3 NPR 70 / NKR66E / NPR66P / NQR71R / NPR 66 LL / HINO DUTRO NQR71PL / NPR 75 LONG / NLR / NLR LONG / NNR / NNR LONG / NPR 75 / N 10 / NPR 8 / NPR 8 LONG
Şanzıman Tipi Transmission Type	MYY5T / MOY-9F / MOY-9H / MOYCR / MYY-6S / MOYMB / MOYNA / MYY-5S / MYY-6P / MYY-5A / MOYGX MOY4N / MOYNB / MOYNC / MYY5R / MYY5D / MOYPN / MOYUK / MOYMC / MOYMR / MOYPZ (5,315-5,979)

Ürün Kodu / Product Code	ISZ.15.V.CT.KF
Revizyon No-Tarih / Revision No- Date	

Ürün Görünümleri / Products View



Opsiyonlar / Options

A : PTO Çıkışı (Standart DIN 5463 6X21X25 UNI 3 Delikli)	A : PTO Output (Standard DIN 5463 6X21X25 UNI 3 Bolt)
B: VAKUM İLE KONTROL	B: CONTROL WITH VACUUM
C: SENSÖR	C: SENSOR

Teknik Bilgi / Technical Data

Güç / Power (Kw)	Maksimum Tork / Maximum Torque		Çevrim Oranı / Ratio	Bağlantı Şekli / Mounting Side	Kontrol Tipi / Control Type
	1000 Dev. / Dak.	Nm			
21	200	20,4	1/1.03	SOL YAN/LEFT SIDE	HAVALI/AIR
				Ağırlık / Weight (Kg)	Dönüş Yönü /Sense of Rotation
				14	SAĞ/CLOCKWISE(CW)

KOZANOĞLU KOZMAKSAN

Hidrolik Pompa ve Ara Şanzıman P.T.O. İmalat San. ve Tic. Ltd. Şti.
Hydraulic Pumps & Power Take-Offs Manufacturing Limited Co.

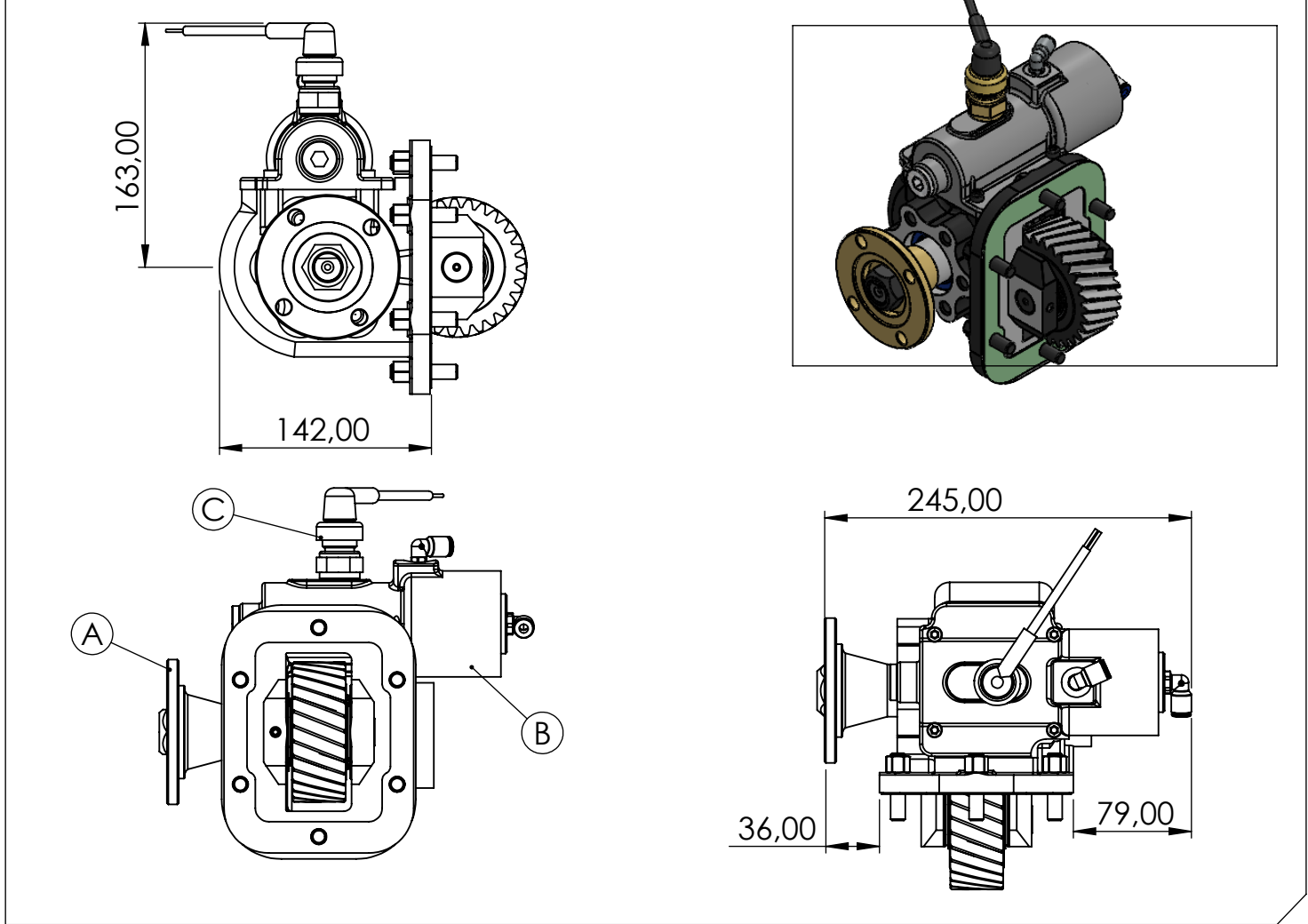
Ofis / Office
Tel. +90 312 354 05 39
Fax +90 312 354 34 59
7. Sokak No: 9
Ostim / ANKARA
e-mail: info@kozmaksan.com.tr

Fabrika / Factory
Tel. +90 312 267 39 71
Fax +90 312 267 38 72
AOS. 1. OSB. Erkunt Cad. No: 6
Sincan / ANKARA
Website: www.kozmaksan.com.tr

Araç Tipi Vehicle Type	NLR85L (ED6AYG-HD6AYG) / NNR85L (FD5AYG-HD5AYG) / NPR75L (HL5VAYGN-KL5VAYGN-KL5VAYG) NPR 66-71-75-77 ISUZU / NKR 250 / NPR 250 / NKR 66 E2L / HINO 300 SERİ 4X2 / NQR 70 P / ELF NKR71 ELF 130 / NPR 66L / NQR71PL / NPR85L / 4.3 NPR 70 / NKR66E / NPR66P / NQR71R / NPR 66 LL / HINO DUTRO NQR71PL / NPR 75 LONG / NLR / NLR LONG / NNR / NNR LONG / NPR 75 / N 10 / NPR 8 / NPR 8 LONG
Şanzıman Tipi Transmission Type	MYY5T / MOY-9F / MOY-9H / MOYCR / MYY-6S / MOYMB / MOYNA / MYY-5S / MYY-6P / MYY-5A / MOYGX MOY4N / MOYNB / MOYNC / MYY5R / MYY5D / MOYPN / MOYUK / MOYMC / MOYMR / MOYPZ (5,315-5,979

Ürün Kodu / Product Code	ISZ.15.V.CT.UF
Revizyon No-Tarih / Revision No- Date	0.0/10.04.2023

Ürün Görünümleri / Products View



Opsiyonlar / Options

A: Kaplinli (Flanşlı Bağlantı) B: Vakum ile Kontrol C: Sensör	A: Drive Flange B: Control with Vacuum C: Sensor
--	---

Teknik Bilgi / Technical Data

Güç / Power (Kw)	Maksimum Tork / Maximum Torque		Çevrim Oranı Ratio	Bağlantı Şekli Mounting Side	Kontrol Tipi Control Type
	Nm	Kgm			
1000 Dev. / Dak.				SOL YAN/LEFT SIDE	HAVALI/AIR
24	229	23,36	1/1,03	Ağırlık / Weight (Kg)	Dönüş Yönü /Sense of Rotation
				14	SAĞ/CLOCKWISE (CW)

KOZANOĞLU KOZMAKSAN

Hidrolik Pompa ve Ara Şanzıman P.T.O. İmalat San. ve Tic. Ltd. Şti.
Hydraulic Pumps & Power Take-Offs Manufacturing Limited Co.

Ofis / Office
Tel. +90 312 354 05 39
Fax +90 312 354 34 59
7. Sokak No: 9
Ostim / ANKARA
e-mail: info@kozmaksan.com.tr

Fabrika / Factory
Tel. +90 312 267 39 71
Fax +90 312 267 38 72
AOS. 1. OSB. Erkunt Cad. No: 6
Sincan / ANKARA
Website: www.kozmaksan.com.tr