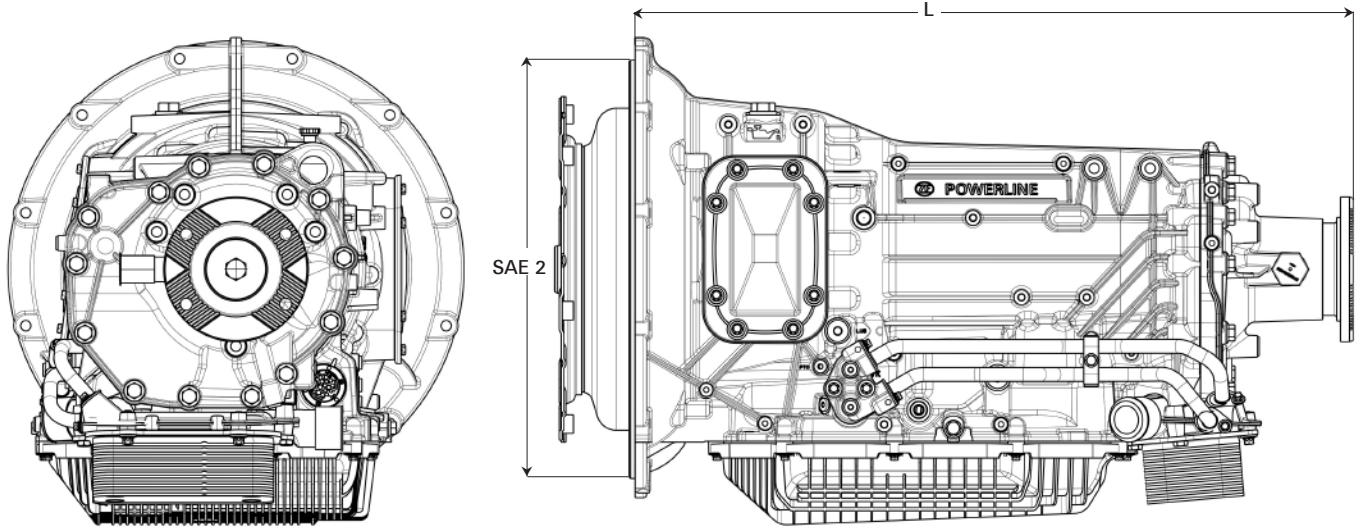


PowerLine



PowerLine	Input torque	Ratio spread	Length „L”	Weight (dry)	Engine connection	Torque-weight ratio
Version	[Nm]		[mm]	[kg]	SAE	
8 AP 1200 S	1,200*	7.6	768	149	SAE 2	8

Standard mechanical ratios in gear

Gear	1	2	3	4	5	6	7	8	R
Ratio	4.89	3.12	2.03	1.64	1.25	1.00	0.84	0.64	-4.25

* higher torque on demand

Features / Function

- 8-speed automatic powershift transmission
- Benchmark torque-to-weight ratio: 8 Nm/kg
- Best in class fuel efficiency by using 8HP gear set concept. Fuel savings up to 10%
- On-board transmission control unit
- Converter lock-up clutch with integrated torsional damper
- Dual side engine dependent PTO-option (at 3 and/or 9 o'clock position)
Stationary usage max. PTO power 102 kW. Max. torque for 1 PTO = 700 Nm, for 2 PTOs = 1,000 Nm in sum.
Mobile usage on request.
- Excellent drivability and comfort
- Optional interface for direct mounted transfer case